

GR Series
Single Lever Lavatory Faucet
(Semi-tall Vessel) w/ pop-up waste



Features

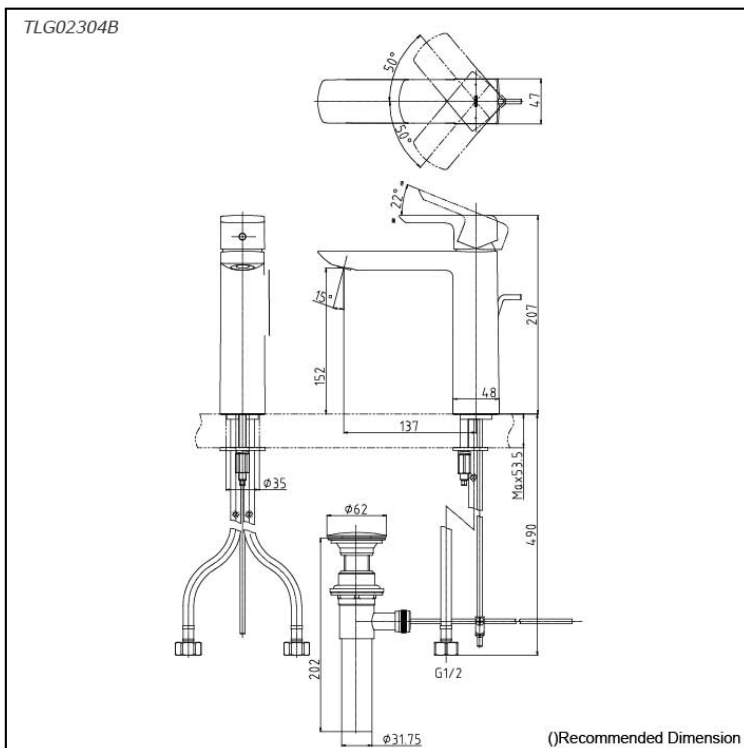
- Design Concept is Gorgeous and Regal
- Long lasting, comfort glide mechanism for a smooth operation
- High corrosion resistance plating
- TOTO aerated water technology, ECOCAP adds air to the water to achieve full water jet with less amount of water usage.

Specifications

Finish: Chrome
Material: Brass
Water Pressure: 0.05 ~ 1.0 Mpa

Parts description

- **TLG02304B**
Single Lever Lavatory Faucet (Semi-tall Vessel) w/ pop-up waste



Flow Rate

TLG02304B

