

TOTO

Robe Hook • Paper Holder • Towel Bar

YA87S • YH87S
YT87S5S • YT87S7R

In order to make full use of the capabilities of the product, mount it properly according to this installation manual. After mounting the product, fully explain the method of use to the customer.

The product comes with an owner's manual for the customer. After the completion of product mounting, be sure to give the owner's manual to the customer.


Be sure to write the name of the dealer and the date of installation on the warranty attached to the owner's manual.


Safety precautions (Be sure to observe these safety precautions.)



Carefully read the "Safety precautions" before mounting the product and bear them in mind when mount the product.

• In order to mount the product safely and properly and to prevent physical harm to the customer or other persons and damage to property, various signs are shown in this manual. The signs and their meanings are shown below.

• The following symbol is used to indicate and explain the type of precaution.

Sign	Meaning
 WARNING	Indicates that disregarding the precaution shown in this box could result in death or serious injury.

	indicates matters that should be performed without fail. This symbol means "Be sure to do".
---	---

Warning about mounting	
 WARNING	 Be sure to do
	<p>Use plywood of a thickness of 12mm or more as the mounting surface. Not doing so could cause the mounted product to become unstable and fall resulting in injury.</p>
	<p>If the mounting surface is a thin wall, reinforce it with a wooden board of a thickness of 30mm or more beforehand and then mount the product. Not doing so could cause the mounted product to become unstable and fall resulting in injury.</p>
	<p>If the mounting surface is a tile or concrete wall, use the provided resin plug, etc. Not doing so could cause the mounted product to become unstable and fall resulting in injury.</p>
<p>Use the provided wall mounting screw for mounting the product. Not doing so could cause the mounted product to become unstable and fall resulting in injury.</p>	

Warning about mounting


WARNING


Be sure to do

After mounting the product, check that it does not rattle.

If the product rattles, it could come off or the wall could be damaged, causing the user to fall down and get injured.

Request concerning mounting

- If there is an uneven area on the wall, secure a flat surface using a washer or spacer.
- Leave 130mm or more of space to the left of the paper holder so that a paper roll can be set.

1

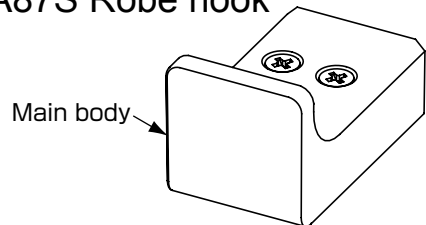
Checking of attached parts

■ Check that the following parts are provided.

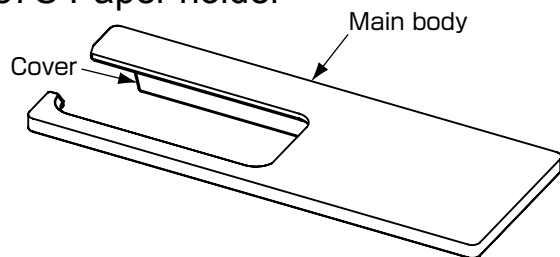
Attached parts	YA87S	YH87S	YT87S5S	YT87S7R
Wall mounting screw (Pan head tapping screw $\phi 4.5 \times 40$)	2	—	—	—
Wall mounting screw (Flat head tapping screw $\phi 5 \times 40$)	—	4	3	4
Resin plug	2	4	3	4
Mount	1	—	—	—
Main body assembling screw (Cross recessed head countersunk screw M4x8)	2	—	—	—
Cover	—	1	1	1
Cover assembling screw (Hexagon socket head countersunk screw M3x20)	—	2	2	3
Hexagonal wrench (nominal dimension of spanner: 2)	—	1	1	1

2 Names of parts

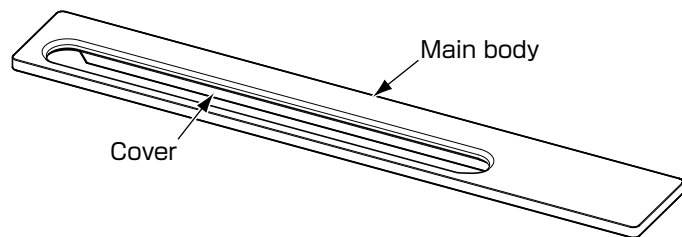
YA87S Robe hook



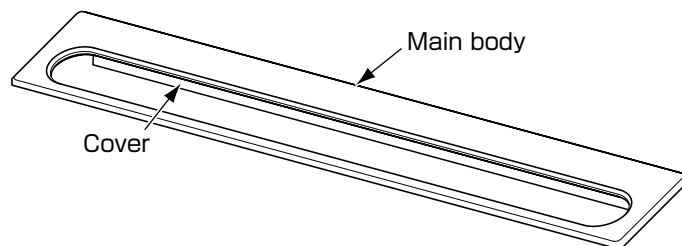
YH87S Paper holder



YT87S5S Towel bar

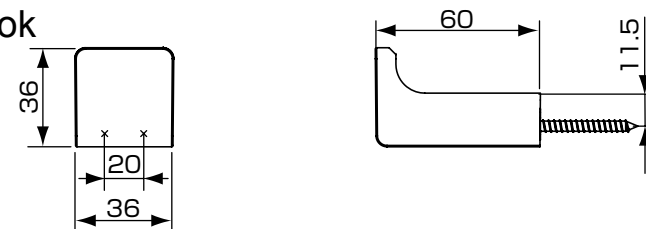


YT87S7R Towel bar

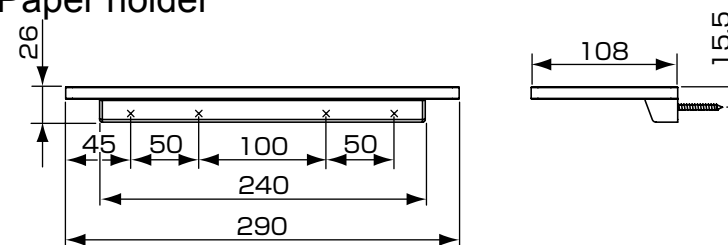


3 Dimensions of product

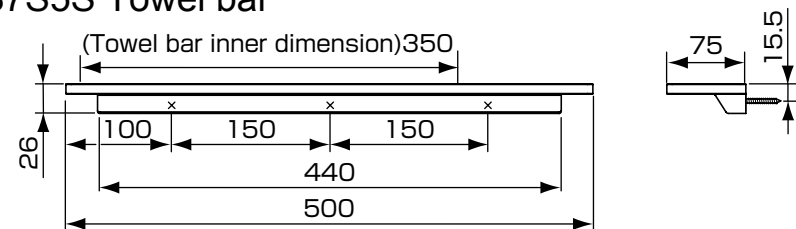
YA87S Robe hook



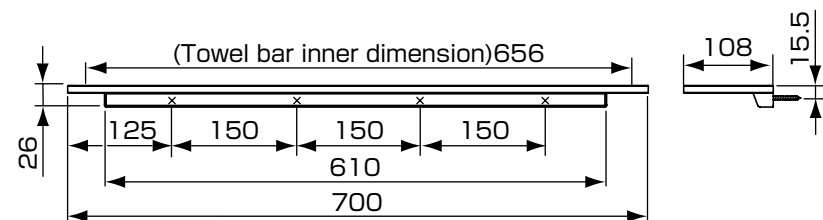
YH87S Paper holder



YT87S5S Towel bar

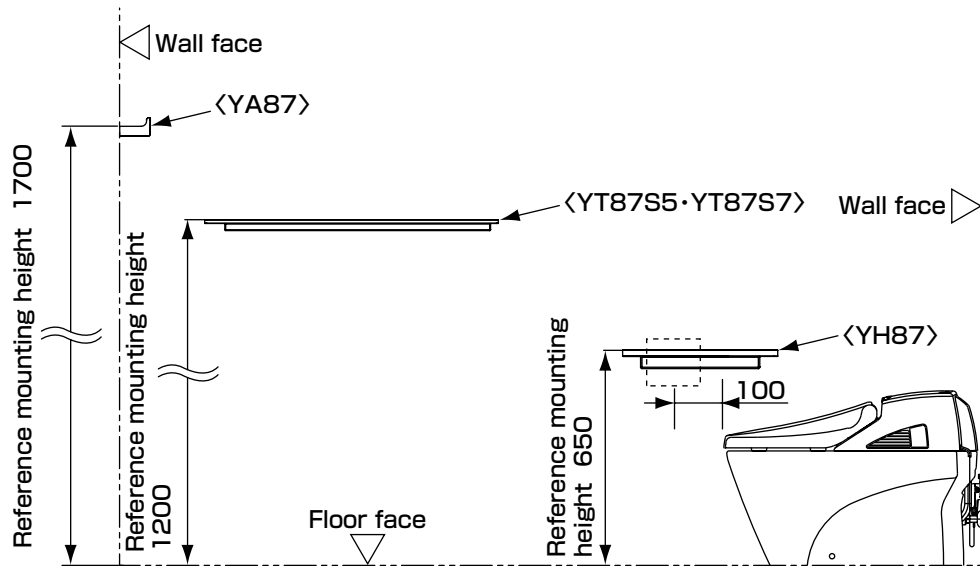


YT87S7R Towel bar



4 Mounting position

- Shown below is a reference mounting drawing. Determine the mounting position depending on the situation of the site.
- Leave 130mm or more of space to the left of the paper holder so that a paper roll can be set.



5 Preparation before mounting

Warning

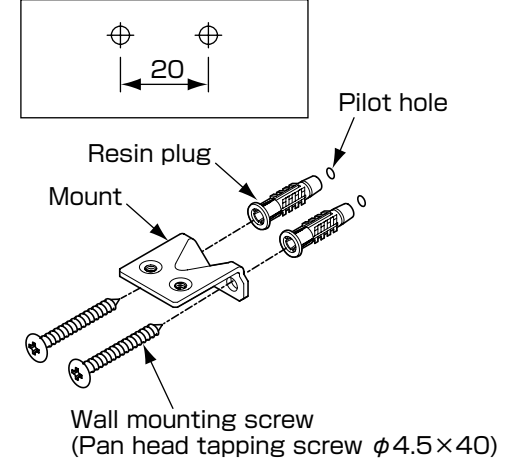
- Use plywood with a thickness of 12mm or more as the mounting surface.
- If the mounting surface is a thin wall, reinforce it with a wooden board with a thickness of 30mm or more beforehand and then mount the product.
- If the mounting surface is a tile or concrete wall, use the provided resin plug etc.

6-1 Mounting method

<Mounting of YA87S>

- ① Mark hole positions with a scribe so that the mount can be mounted horizontally and drill pilot holes with a diameter of 6mm and a depth of 40mm or more.
- ② Drive the provided resin plugs into the pilot holes and fasten the mount with the two wall mounting screws (pan head tapping screw $\phi 4.5 \times 40$). Check that the mount is installed horizontally.

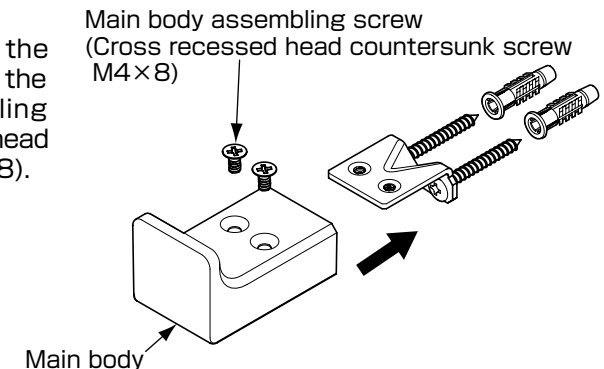
Wall mounting screw position



WARNING

- Use the provided wall mounting screw for mounting the product. Not doing so could cause the mounted product to become unstable and fall to result in injury.

- ③ Insert the main body all the way in and fasten it with the two main body assembling screws (cross recessed head countersunk screw M4 \times 8).



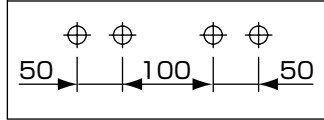
WARNING

- After mounting the product, check that it does not rattle. If the product rattles, it could come off or the wall could be damaged, causing the user to fall down to get injured.

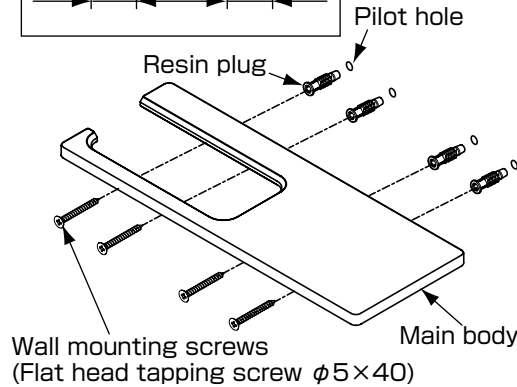
<Mounting of YH87S>

①Mark hole positions with a scribe so that the main body can be mounted horizontally and drill pilot holes with a diameter of 6mm and a depth of 40mm or more.

Wall mounting screw position



②Drive the provided resin plugs into the pilot holes, and fasten the main body with the four wall mounting screws (flat head tapping screw $\phi 5 \times 40$) using a screwdriver with a long tip, while taking care not to allow the tool to hit the main body. Using a level gauge etc., check that the main body is mounted horizontally. When using a level gauge etc., place the plastic bag in which the main body was contained, etc. on the main body to prevent it from being scratched.

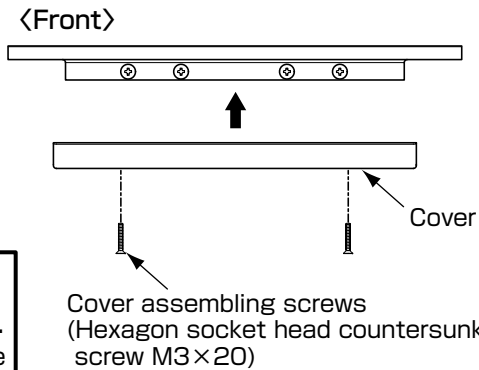


⚠ WARNING

■ Use the provided wall mounting screw for mounting the product.

Not doing so could cause the mounted product to become unstable and fall to result in injury.

③Set the cover from under the main body and fasten it by tightening the two cover assembling screws (hexagon socket head countersunk screw M3 \times 20) with the provided hexagonal wrench.



⚠ WARNING

■ After mounting the product, check that it does not rattle. If the product rattles, it could come off or the wall could be damaged, causing the user to fall down to get injured.

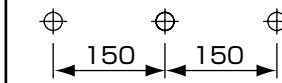
<Mounting of YT87S5S and YT87S7R>

※Shown in the figure below is YT87S5. Mount YT87S7 in the same manner.

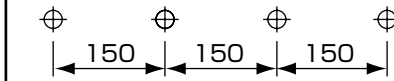
①Mark hole positions with a scribe so that the main body can be mounted horizontally and drill pilot holes with a diameter of 6mm and a depth of 40mm or more.

Wall mounting screw position

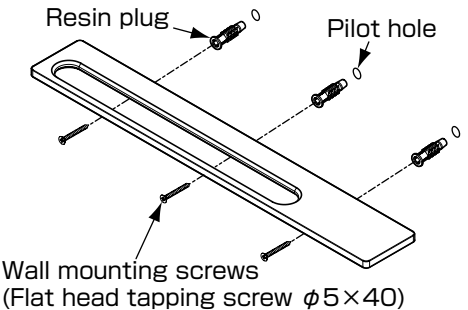
<YT87S5>



<YT87S7>



②Drive the provided resin plugs into the pilot holes, and fasten the main body with the three (four in the case of YT87S7) wall mounting screws (flat head tapping screw $\phi 5 \times 40$) using a screwdriver with a long tip, while taking care not to allow the tool to hit the main body. Using a level gauge etc., check that the main body is mounted horizontally. When using a level gauge etc., place the plastic bag in which the main body was contained, etc. on the main body to prevent it from being scratched.

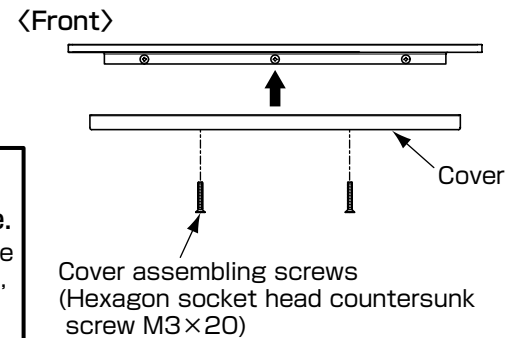


⚠ WARNING

■ Use the provided wall mounting screw for mounting the product.

Not doing so could cause the mounted product to become unstable and fall to result in injury.

③Set the cover from under the main body and fasten it by tightening the two (three in the case of YT87S7) cover assembling screws (hexagon socket head countersunk screw M3 \times 20) with the provided hexagonal wrench.



⚠ WARNING

■ After mounting the product, check that it does not rattle.

If the product rattles, it could come off or the wall could be damaged, causing the user to fall down to get injured.