

GO Series  
Single Lever Lavatory Faucet  
(Semi-tall Vessel) (w/ pop-up waste)



### Features

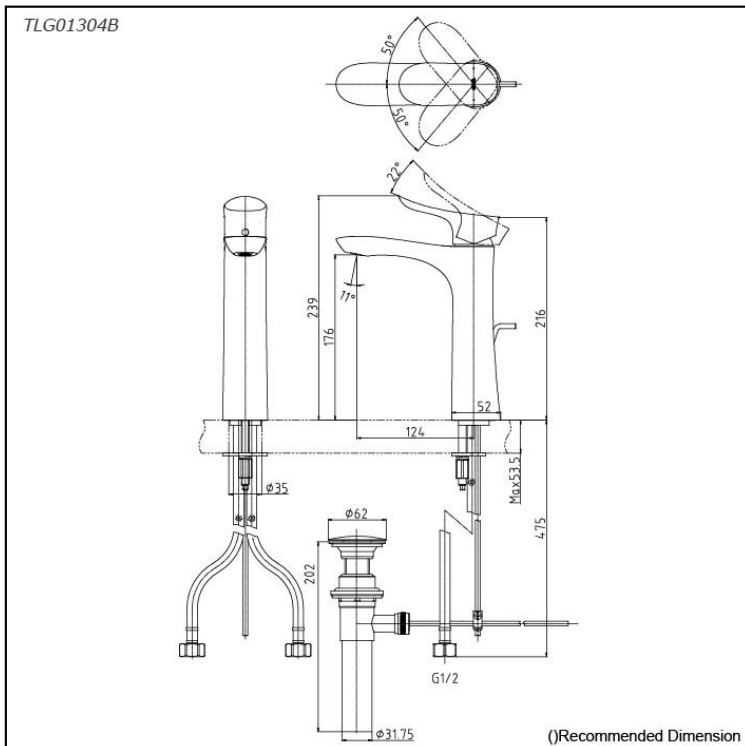
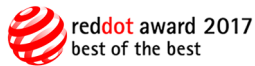
- Design Concept is Gorgeous and Organic.
- Long lasting, comfort glide mechanism for a smooth operation
- High corrosion resistance plating
- TOTO aerated water technology, ECOCAP adds air to the water to achieve full water jet with less amount of water usage.

### Specifications

Finish: Chrome  
Material: Brass  
Water Pressure: 0.05 ~ 1.0 Mpa

### Parts description

- **TLG01304B**  
Single Lever Lavatory Faucet (Semi-tall Vessel) (w/ pop-up waste)



### Flow Rate

TLG01304B

